

Technical Design-In Guide

# TALEXengine DLE G3

## Table of contents

<b>1 Introduction</b>	<b>4</b>
<b>2 System overview</b>	<b>5</b>
2.1 Module variants	5
2.2 Combining LED module and LED driver	7
2.2.1 LED driver variants	7
2.2.2 Possible combinations	8
2.3 Compatibility between LED module and LED driver	10
2.3.1 Comparison of data sheet values with a 5-point guideline	10
2.3.2 Practical tests	12
2.4 Standards and directives	13
2.4.1 Standards and directives for modules	13
2.4.2 Standards and directives for LED drivers	14
<b>3 Mechanical aspects</b>	<b>16</b>
3.1 Guideline for installation	16
3.2 Installation of the modules	16
3.3 Requirements and protection measures against damage	18
3.3.1 Mechanical stress	18
3.3.2 Chemical compatibility	19
3.3.3 Cleaning the LED module	21
3.3.4 Cementing the LED module	22
3.3.5 Packaging and transport	23
<b>4 Electrical aspects</b>	<b>24</b>
4.1 Electrical connections	24
4.1.1 Electrical safety	24
4.1.2 Connections on the LED control gear	25
4.2 Wiring diagrams	27
4.2.1 Wiring diagram for switchDIM for TALEXEngine DLE GEN3 module	27
4.2.2 Wiring diagram for DALI for TALEXEngine DLE GEN3 module	28
4.2.3 Wiring diagram for ON/OFF via mains for TALEXEngine DLE GEN3 module	29
<b>5 Optical aspects</b>	<b>30</b>
5.1 Colour spectrum	30
5.2 CRI, Ra and Ri - different colour rendering values	31
5.3 Standard deviation	32
5.4 Binning	32
5.5 Secondary Optics	32
5.6 Coordinates and tolerances (according to CIE 1931)	33
5.6.1 Chromaticity coordinate	33
5.6.2 Colour temperature and Black Body Curve	33
5.7 Eye safety	34
5.8 Reflector design	35

5.8 Reflector design	35
5.8.1 Beam characteristics	37
5.8.2 Photometric code	37
<b>6 Thermal aspects</b>	<b>39</b>
6.1 Decrease of luminous flux	39
6.1.1 Lifetime, luminous flux and failure rate	39
6.1.2 Effect of cooling on the life of the modules	39
6.1.3 Thermal Interface Material	40
6.1.4 Rth	41
6.1.5 tp point, ambient temperature and lifetime	41
6.1.6 Requirements for the heat sink	42
6.2 Passive and active cooling	42
6.2.1 Passive cooling	42
6.2.2 Active cooling	43
6.3 Fan connection and temperature measurement	44
6.3.1 Fan driver	44
6.3.2 KTY-Sensor	44
6.3.3 Temperature measurement on the module	45
6.3.4 ta, tp rated, tc max	45
6.3.5 Temperature management of the LED control gear	45
<b>7 Ordering information and sources</b>	<b>47</b>
7.1 Article numbers	47
7.1.1 TALEXXmodule DLE G3 ADVANCED	48
7.1.2 TALEXXmodule DLE G3 EXCITE	48
7.1.3 Suitable controllers	49
7.2 Product application matrix	50
7.2.1 Luminaire application TALEXXengine	50
7.2.2 Luminaire application TALEXXmodule	50
7.3 Partners	51
7.3.1 Heat sinks	51
7.3.2 Heat-conducting foil and paste	52
7.3.3 LED housing	53
7.3.4 Reflector solutions and reflector design	53
7.3.5 Tridonic sales organisation	54
7.3.6 Additional information	54

## 1. Introduction

This design-in-Guide covers the DLE G3 downlight system from Tridonic. The DLE G3 provides energy efficient lighting solutions with high quality light for retail, catering and other downlight applications.

The market-tested and extremely reliable TALEXXmodule DLE portfolio is being further expanded. The compact system solutions for your downlights are being updated in terms of efficiency and application. The latest generation of EXCITE TALEXXmodule offers improved colour rendering of CRI > 90 for perfect presentation of merchandise at the point of sale. The housing dimensions are identical to those of the ADVANCED series. By using the same narrow and successful housing it is possible for a luminaire to have high colour rendering by simply replacing the LED modules.

The system consists of SMD module and mount or only SMD module in two versions with colour temperatures of 3,000 K and 4,000 K.

The Design-in guide provides all the information needed to build a luminaire with the DLE G3 downlight system and adapt it to the desired needs. This includes:

- ▶ Dimensioning of the heat sink and reflector
- ▶ Selection of compatible LED driver
- ▶ Designing the luminaire with respect to thermal and mechanical needs

## 2. System overview

The use of LEDs in general lighting has many advantages: LEDs are versatile in their application, highly energy efficient and virtually maintenance-free. With the TALEXEngine DLE GEN3 you get a complete system solution for spot and downlights, consisting of perfectly matched components: LED module and LED driver.

### **i** NOTICE

All information in this guide has been created with great care. Errors, additions and omissions excepted. For any resulting damage Tridonic accepts no liability. The latest version of this guide can be found at [led.tridonic.com](http://led.tridonic.com) or at your sales partner.

### 2.1. Module variants

#### **i** NOTICE

The TALEXmodule DLE GEN3 series comprises different variants of modules:

- ▶ with housing
- ▶ without housing



Modules without housing have a certain affix in their name:

- ▶ Modules with housing have the affix "H" in their name
- ▶ Modules without housing have the affix "R" in their name

Abbreviations:

- ▶ H ... housing
- ▶ R ... raw

The following variants are available:

Module name	Housing
with affix "H", e.g. DLE G4 65mm 3000lm 830 H ADV	
with affix "R", e.g. DLE G3 65mm 3000lm 830 R ADV	

The system TALEXEngine DLE GEN3 is available in different variants:

	DLE GEN3 Advanced	DLE GEN3 Excite
Main qualities	Simplicity itself: » Static White with a CRI > 80 » long life-time » high lm/W output	Simplicity itself: » Static White with a CRI > 90 » long life-time » high lm/W output
Available variants	Available in 2 variants: » with housing » without housing	Available in 2 variants: » with housing » without housing
Colour temperature	3,000 K, 4,000 K	3,000 K, 4,000 K
Luminous flux (1)	up to 3,000 lm with housing up to 3,700 lm without housing	up to 2,600 lm with housing up to 3,000 lm without housing
Colour rendering / colour tolerance	CRI 80 MacAdam 3 SDCM	CRI 90 MacAdam 3 SDCM
System efficiency (1)	up to 147 lm/W	up to 120 lm/W
Module efficiency	up to 165 lm/W	up to 136 lm/W
Energy efficiency class	up to A++	up to A++
Life time (2)	60,000 h	60,000 h
Warranty	5 years	5 years

(1) Values at tp=65°C, all values apply to Tp rated

(2) relating to L70/B50

The following type code is used to identify the modules:

**Type code for modules for DLE G3 65mm 3000lm 830 H ADV for example**

Reference	DLE GEN3	-	65mm	-	3000lm	-	830	-	H	-	ADV
Meaning	Form: Downlight Engine		Size		Type: Luminous flux at nominal current		CRI 80 3000K		with housing		Advanced

## 2.2. Combining LED module and LED driver

### 2.2.1. LED driver variants

The LED drivers are available in different variants:

		Dimming		Fixed Output	
		ECO Leader in efficiency and versatility	BASIC Economic dimming convenience	TOP Optimum performance and high flexibility	TEC Reliable and straightforward
Dimming	Dimming method	Amplitude & PWM	Amplitude only		
	PWM frequency	500 Hz			
	Dimming range	1 – 100 %	10 – 100 %		
	DALI DT6 / DSI	yes			
	switchDIM / corridorFUNCTION	yes			
	Phase-cut dimming		yes		
DC operation	Supporting EN 50172	yes		yes	
	DC level fixed			yes	
	DC level adjustable	yes			
Output current	Adjustable	yes		yes	
	Via resistor or plug (I-Select)	yes		yes	
	Via DALI	yes			

	Current resolution	1/25/50 mA <sup>1)</sup>		25/50 mA <sup>1)</sup>	
	Current tolerances	+/- 3 %	+/- 7.5 %	+/- 5 %	+/- 7.5 %
Functions & Performance	Constant light output over lifetime	yes			
	Intelligent Temperature Guard	yes	yes	yes	yes
	Intelligent Temperature Management	yes		yes <sup>2)</sup>	
	Standby losses	< 0.2 W			
	Input voltage range	220 – 240 V	220 – 240 V	220 – 240 V	220 – 240 V
	Lifetime up to	100,000 h	50,000 h	100,000 h	50,000 h
	Failure rate	0.1 % / 1,000 h	0.2 % / 1,000 h	0.1 % / 1,000 h	0.2 % / 1,000 h
	Operating temperature range	-25 °C up to +65 °C <sup>3)</sup>	-25 °C up to +50 °C	-25 °C up to +65 °C <sup>3)</sup>	-20 °C up to +50 °C
	Warranty	5 years	5 years	5 years	5 years

1) Depending on the output current range and setting method (I-Select or DALI)

2) For LED drivers with 35 W and more

3) Varies with the selected output power, detailed values can be found in datasheet

### 2.2.2. Possible combinations

Possible combinations of LED drivers and LED modules can be found in the LED system matrix:

[www.tridonic.com/com/en/lamp-matrix.asp](http://www.tridonic.com/com/en/lamp-matrix.asp)

Some typical combinations are listed here:

- ▶ DLE GEN3 65mm 2000lm: Operating current: 700mA
  - » Dimmable: LCAI 20W 350mA-900mA ECO C (Article number: 28000122)
  - » Fixed output: LCI 20W 350mA-900mA TOP C (Article number: 28000191)
  - » Fixed output: LCI 35W 700mA TEC C (Article number: 87500196) ... min. 2 modules, max. 2 modules
- ▶ DLE GEN3 65mm 2000lm: Operating current: 750mA



- » Dimmable: LCAI 20W 350mA-900mA ECO C (Article number: 28000122)
- » Fixed output: LCI 20W 350mA-900mA TOP C (Article number: 28000191)
- ▶ DLE GEN3 65mm 3000lm: Operating current: 600mA
  - » Dimmable: LCAI 35W 350mA-900mA ECO C (Article number: 28000124)
  - » Fixed output: LCI 35W 350mA-900mA TOP C (Article number: 28000193)
- ▶ DLE GEN3 65mm 3000lm: Operating current: 650mA
  - » Dimmable: LCAI 35W 350mA-900mA ECO C (Article number: 28000124)
  - » Fixed output: LCI 35W 350mA-900mA TOP C (Article number: 28000193)

The following type code is used to identify LED drivers:

### Type code for LED drivers for LCAI 35W 350mA-900mA ECO C for example

Reference	LCAI	35W	350mA-900mA	ECO	C
Meaning	LED driver for constant current	Power	Output current range	Type	Housing form "compact"

The exact type designation of the LED drivers can be found on the label of the LED driver.

## 2.3. Compatibility between LED module and LED driver

### ⚠ CAUTION!

TALEXXmodule DLE G3 are basic isolated against ground up to 320 V and can be mounted directly on earthed metal parts of the luminaire.

If the max. output voltage of the LED driver (also against earth) is above 320 V, an additional isolation between LED module and heat sink is required (for example by isolated thermal pads) or by a suitable luminaire construction.

At voltages > 60 V an additional protection against direct touch (test finger) to the light emitting side of the module has to be guaranteed. This is typically achieved by means of a non removable light distributor over the module.

There are two stages involved in the check for compatibility between the LED module and the LED driver.

- ▶ The requirements for operating together can be checked by comparing the data sheets
- ▶ Subsequent practical tests can ensure that there are no unexpected problems during actual operation

### 2.3.1. Comparison of data sheet values with a 5-point guideline

Different values for the two devices need to be considered when comparing the data sheets. The following table shows which values are involved and which requirements they must meet.

Comparison of...	Value in LED module		Value in LED driver	Detailed procedure
(1) Current	$I_{max}$	=	Output current	» Determine forward current of LED module » Check whether LED driver can be operated with the same output current » Check whether max. DC forward current of LED module is greater than or equal to output current of LED driver (including tolerances)
	Max. DC forward current	≥	Output current + tolerances	

**⚠ CAUTION!**

The max. DC forward current can be temperature dependent! Refer to the derating curve of the LED module data sheet.

continue... → ↓

Comparison of...	Value in LED module		Value in LED driver	Detailed procedure
(2) Voltage	Min. forward voltage	>	Min. output voltage	» Check whether voltage range of LED module is completely within the voltage range of LED driver
	Max. forward voltage	<	Max. output voltage	<div style="background-color: #ffff00; padding: 5px;"><b>⚠ CAUTION!</b></div> <p>The forward voltage is temperature dependent! Refer to the <math>V_f/t_p</math> diagram in the data sheet.</p>
	Min. forward voltage @ min. dim level	>	Min. output voltage	<div style="background-color: #add8e6; padding: 5px;"><b>i NOTICE</b></div> <p>To ensure full dimming performance the forward voltage of the LED module at min. dim level must be greater than or equal to the min. output voltage of the driver.</p> <ul style="list-style-type: none"> <li>» Determine the forward voltage of the LED module at lowest dim level</li> <li>» In case there is no data available for the LED module at lowest dim level: take the min. forward voltage minus 20% as an approximation</li> <li>» Check whether the forward voltage of the LED module is greater than or equal to the min. output voltage of the driver</li> </ul>
(3) LF current ripple	Max. permissible LF current ripple	≥	Output LF current ripple (<120Hz)	» Check whether max. permissible LF current ripple of LED module is greater than or equal to output LF current ripple of LED driver
(4) Max. peak current	Max. permissible peak current	>	Max. peak output current	» Check whether max. permissible peak current of LED module is greater than max. peak output current of LED driver
(5) Power (pertinent for multi channel LED driver)	Min. power consumption	>	Min. output power	» Check whether power range of LED module is completely within output power range of LED driver
	Max. power consumption	<	Max. output power	

### 2.3.2. Practical tests

#### ⚠ CAUTION!

Following the comparison of the data sheet values a practical test is required. Only a practical test can ensure that the system components (luminaire, LED driver, LED module, wiring) are coordinated and working properly.

The following aspects must be checked:

#### Technical aspects

- ▶ Transient behaviour
- ▶ Colour shift
- ▶ Connection during operation
- ▶ Parasitic capacitance

#### Visual aspects

- ▶ Flickering
- ▶ Stroboscopic effect (video applications)
- ▶ Dimming behaviour
- ▶ Colour change/stability
- ▶ Luminous flux

When conducting the tests the following conditions must be considered:

#### Conditions

- ▶ All tolerances
- ▶ Entire temperature range
- ▶ Different output voltage ranges (incl. no load)
- ▶ Entire dimming range
- ▶ Short circuit

#### i HINWEIS

If the values are slightly over or under the specified threshold values or if there are any other concerns or questions please contact Technical Support:  
[techservice@tridonic.com](mailto:techservice@tridonic.com)

## 2.4. Standards and directives

### 2.4.1. Standards and directives for modules

The following standards and directives were taken into consideration in designing and manufacturing the modules:

#### CE

2006/95/EG	Low-voltage directive: Directive relating to electrical equipment for use within certain voltage limits
2004/108/EG	EMC directive: Directive relating to electromagnetic compatibility

#### RoHS

2002/95/EC	RoHS <sup>(1)</sup> directive: Directive on the restriction of the use of certain hazardous substances in electrical and electronic equipment
------------	---

<sup>(1)</sup> RoHS: Restriction of (the use of certain) hazardous substances

#### Safety

DIN IEC 62031:2008	Safety requirements for LED modules
EN 60598-1:2008 und A11:2009	General requirements and tests for luminaires
EN 60598-2-2:1996 und A1:1997	Luminaires - Part 2. Special requirements; Main section 2: Recessed luminaires
EN 62471:2008	Photo-biological safety of lamps and lamp systems

**Safety and performance**

EN 61347-1:2009	General and safety requirements
EN 61347-2-13:2007	Special requirements for dc and ac powered electronic operating equipment for LED modules
EN 62384:2007 IEC 62384 A1:2009	Operational requirements

**Energy labelling**

EU Regulation No: 874/2012	"Energy labelling of electrical lamps and luminaires"
----------------------------	---

**2.4.2. Standards and directives for LED drivers**

The following standards and directives were taken into consideration in designing and manufacturing the LED driver:

**EMI**

EN 55015 2008	Limit values measurement methods for radio interference properties of electrical lighting equipment and similar electrical devices
EN 61000-3-2:2005 A1:2008 und A2:2009	Limit values for harmonic currents (equipment input current < 16 A per conductor)
EN 61000-3-3:2005	Limit values for voltage fluctuations and flicker in low-voltage systems for equipment with an input current < 16 A per conductor that are not subject to any special connection conditions
EN 61547:2001	EMC <sup>(1)</sup> requirements

<sup>(1)</sup> EMC: Electromagnetic compatibility

**Safety**

EN 50172 2005	Safety lighting systems
---------------	-------------------------

**DALI**

IEC 62386-101:2009	General requirements, system
IEC 62386-102:2009	General requirements, controller
IEC 62386-207:2009	Special requirements, controller; LED modules

PHASED OUT

### 3. Mechanical aspects

#### 3.1. Guideline for installation

The DLE GEN3 modules were tested with severity level 4. The guideline for installation can be taken from the ESD document .

**NOTICE**

**EOS/ESD safety guidelines**

The device/module contains components that are sensitive to electrostatic discharge and may only be installed in the factory and on site if appropriate EOS/ESD protection measures have been taken. No special measures need be taken for devices/modules with enclosed casings (contact with the pc board not possible), just normal installation practice.

Please note the requirements set out in the document EOS/ESD guidelines (Guideline\_EOS\_ESD.pdf) at:

- ▶ [http://www.tridonic.com/com/de/download/technical/Richtlinie\\_EOS\\_ESD\\_de.pdf](http://www.tridonic.com/com/de/download/technical/Richtlinie_EOS_ESD_de.pdf)
- ▶ <http://www.tridonic.com/com/en/technical-docs.asp>



Version with housing



Version without housing

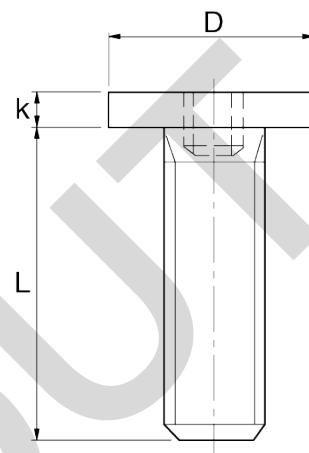
#### 3.2. Installation of the modules

The modules are mounted on a heat sink with 3 bolts per module. In order not to damage the modules only raised head bolts should be used. The bolts should be selected on the basis of the following dimensions:



**Dimensions of the fastening bolts**

Bolt size	M4 <sup>(1)</sup>
Min. length L	10 mm
Max. length L	Depending on the design of the luminaire and the heat sink
Diameter of bolt head	Dmax = 7.2 mm
Max. torque	0.5 Nm



<sup>(1)</sup> Use M3 bolts according to DIN 84 (ISO 1207, UNI 6107).

PHASED OUT

### 3.3. Requirements and protection measures against damage

Depending on the installation situation for the LED control gear and the modules, the following requirements must be met:

- ▶ Sufficient distance to active conducting materials
- ▶ Sufficient strain relief when the LED control gear cover is closed
- ▶ Sufficient cooling of the modules (the max. temperature at the tc point must not be exceeded)
- ▶ Unrestricted exit of light from the modules
- ▶ The module's push-in terminals allow easy wiring. They can be released via the trigger

#### 3.3.1. Mechanical stress

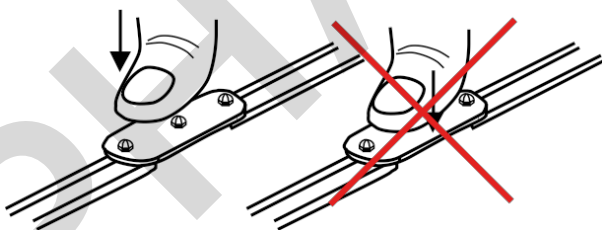
TALEXX modules contain electronic components that are sensitive to mechanical stress. Such stress should be kept to an absolute minimum. In particular the following mechanical stresses should be avoided as these may cause irreversible damage:

- ▶ Pressure
- ▶ Drilling,
- ▶ Milling,
- ▶ Breaking,
- ▶ Sawing,
- ▶ and similar mechanical processing.

#### Compressive stresses

The components of the TALEXX modules (circuit boards, glob-top, lenses, electronic components etc.) are sensitive to compressive stresses. The components must not be exposed to compressive stresses.

- ▶ If glass or Plexiglas shields are used make sure that pressure is not exerted on the glob-top.
- ▶ Only touch the TALEXX modules at the edges



correct (left) and incorrect (right)

### 3.3.2. Chemical compatibility

LED modules can be damaged by other materials, if these materials have certain chemical properties. The cause for these damages are different gaseous compounds, which penetrate into the encapsulant of the LED and thereby attack the encapsulant, the colour conversion phosphor or the LED chips and can affect the electrical contacts or the substrate.

#### Application areas for chemical substances

The following are known areas in which chemical substances are used:

- ▶ use of protective coating in applications with high relative humidity (outdoor applications),
- ▶ encapsulation of LED modules,
- ▶ cementing of LED modules,
- ▶ sealing of luminaires.

The following materials must be checked for their safety:

- ▶ All components and auxiliaries used in the assembly of the luminaire:
  - » Solvents of adhesives and coatings
  - » Other so-called VOC ("volatile organic compounds")
- ▶ All other additional substances present in the atmosphere:
  - » Outgassing of adhesives, sealants and coatings
  - » Cleaning agents and processing aids (e.g. cutting oils and drilling coolants)

**i NOTICE**

Contact your LED manufacturer for questions about the materials used and possible interactions and risks.

Putting together a "safe list" is not possible due to the complexity of the topic. The following table lists possible contaminants for LED modules, the classes of compounds and examples of possible sources. The list shows the most commonly used materials but does not claim to be complete.

Class of compounds	Chemical names	Occurs in
Acids	<ul style="list-style-type: none"> <li>» hydrochloric acid</li> <li>» sulfuric acid</li> <li>» nitric acid</li> <li>» phosphoric acid</li> </ul>	<ul style="list-style-type: none"> <li>» cleaner</li> <li>» cutting oils</li> </ul>
Organic acids	<ul style="list-style-type: none"> <li>» acetic acid</li> </ul>	<ul style="list-style-type: none"> <li>» RTV silicones</li> <li>» cutting oils</li> <li>» degreaser</li> <li>» adhesives</li> </ul>

Alkalis	<ul style="list-style-type: none"> <li>» ammonia</li> <li>» amines</li> <li>» sodium hydroxide</li> </ul>	<ul style="list-style-type: none"> <li>» detergents</li> <li>» cleaner</li> </ul>
Organic solvents	<ul style="list-style-type: none"> <li>» ethers (e.g. glycol )</li> <li>» ketones (e.g. Methylethylketon )</li> <li>» aldehydes (e.g. formaldehyde)</li> <li>» aromatic hydrocarbons (e.g. xylene and toluene)</li> </ul>	<ul style="list-style-type: none"> <li>» cleaner</li> <li>» benzine</li> <li>» petroleum</li> <li>» paints and varnishes</li> </ul>
VOC (volatile organic compounds)	<ul style="list-style-type: none"> <li>» acetate</li> <li>» acrylates</li> <li>» aldehydes</li> <li>» serve</li> </ul>	<ul style="list-style-type: none"> <li>» super glue</li> <li>» all-purpose glue</li> <li>» screw locking varnish</li> <li>» coatings</li> <li>» paints and varnishes</li> </ul>
Mineral oils	<ul style="list-style-type: none"> <li>» hydrocarbons</li> </ul>	<ul style="list-style-type: none"> <li>» machine oil</li> <li>» lubricants</li> </ul>
Vegetable oils and synthet. oils	<ul style="list-style-type: none"> <li>» siloxanes</li> <li>» fatty acids</li> </ul>	<ul style="list-style-type: none"> <li>» silicone oils</li> <li>» linseed oil</li> <li>» fats</li> </ul>
Harder, vulcanizer	<ul style="list-style-type: none"> <li>» sulfur compounds</li> </ul>	<ul style="list-style-type: none"> <li>» seals</li> <li>» sealants</li> <li>» colours</li> </ul>

**Protection measures for the glob top material**

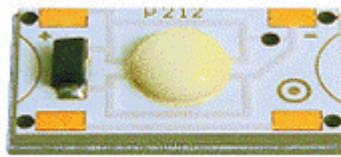
The following guidelines must be observed to avoid damage to the glob-top:

- ▶ Make sure that the chemicals used in LED applications are not solvent-based, condensation crosslinked or acetate crosslinked (acetic acid). These give rise to reagents (e.g. solvent vapors, acetic acid) that may damage LED modules or the encapsulant. This applies to chemicals that are used not in the immediate vicinity of the modules (e.g. seals) and also to chemicals that come into direct contact with the modules (e.g. insulating coatings, adhesives).
- ▶ To ascertain the chemicals used and the type of cross linking a technical data sheet containing a list of substances must be requested from the manufacturer.

Example of damaged encapsulant material, recognizable by the change of the chromaticity coordinates:



powerLED P211, original



powerLED P211, damaged by dissolver waste gas

**Protection measures in regards to sealing**

The points above also apply to chemicals used for sealing luminaire casings. If however the LED module is not installed in the luminaire until after the sealing compound has been completely cured (see relevant material information) the above points can be ignored.

If the LED modules have already been installed in the luminaire, possible damage to the encapsulant can be reduced to a minimum by ensuring adequate spacing (>10 cm) and ventilation (open casing and air circulation, extraction / fan) during the curing process.

**Protection measures in regards to cementing**

To avoid damaging the LED modules you must not use any tools or exert any pressure on the electronic components or the encapsulant.

- ▶ If glass or Plexiglas shields are used make sure that pressure is not exerted on the encapsulant.
- ▶ Only touch the LED modules at the edges

**3.3.3. Cleaning the LED module**

**⚠ CAUTION!**

It is not permitted to clean LED modules during operation. It is necessary to disconnect the power supply. This means for example removing the spotlight from the supply rail only after that it is allowed to clean the module.

There are two options for cleaning the LED module:

**Cleaning with compressed air**

**Procedure**

- ▶ Apply compressed air at an angle of appr. 45° and a distance of 5 cm

### Cleaning with Isopropyl alcohol

**⚠ CAUTION!**

Mechanical stress may damage the LED module's bond wires, compound or other fragile parts.

- ▶ Don't apply mechanical stress onto the LED module while cleaning

**i NOTICE**

The product's warranty expires in case the LED module was damaged as a result of mechanical stress.

### Procedure

- ▶ Moisten cotton pads with isopropyl alcohol, make sure that it doesn't get wet!
- ▶ Clean the LED module with the moist cotton pads
- ▶ Use new and dry cotton pads to remove remaining isopropyl alcohol from the LED module

### 3.3.4. Cementing the LED module

#### Preparation

Clean and durable bonding of two materials requires special attention.

The following cleaning agents are recommended:

- ▶ Isopropanol / Water 50/50
- ▶ Acetone
- ▶ Heptane

### Important aspects

- ▶ **Carrier material**  
The carrier material must have adequate thermal conductivity (e.g. aluminium). The size of the cooling surface depends on the power of the LEDs, among other things. For information on the cooling surface required, see the appropriate product data sheet.
- ▶ **Adhesive material**  
The carrier material itself plays an important role in selecting the adhesive material. The crucial factors are the coefficient of expansion and compatibility with the base material of the TALEXX module board (plastic or aluminium). This must be checked in the application in terms of long-term stability, surface contamination and mechanical properties.
- ▶ **Surface quality**  
The carrier material must be uncoated (thermal transport, adhesion) and level at the connection points.
- ▶ **Installation temperature**  
To achieve optimum adhesion we recommend you carry out this work at room temperature.
- ▶ **Duration, optimum adhesive strengths**  
Maximum adhesion is achieved within 48 hours at room temperature; the process is accelerated by heat. In actual practice this means that at the maximum  $t_c$  temperature (approx. 75-85 °C, product-specific) maximum adhesion is reached after about 12 hours. During the curing period make sure that there is no tensile load on the adhesive connection of the TALEXX module.

### Additional information

TALEXX modules must not be stuck and restuck time and again without replacing the adhesive tape. Damaged adhesive tapes must be completely removed and replaced by new tapes.

### 3.3.5. Packaging and transport

TALEXX products from Tridonic are delivered in appropriate packaging. The packaging provides special protection against mechanical damage and ESD (electrostatic discharge). If you need to transport TALEXX products you should use this packaging.

## 4. Electrical aspects

### 4.1. Electrical connections

#### 4.1.1. Electrical safety

##### Basic classification of protection classes

Depending on the design of the luminaire, the requirements of different electrical protection classes are satisfied:

- ▶ Luminaires in protection class III (also SELV which stands for Safety Extra Low Voltage) have such low internal voltages that a shock current would be inconsequential. AC voltages with an effective value of up to 35 V AC and direct currents up to 60 V DC are referred to as low voltage.
- ▶ Protection class II (non-SELV) applies for luminaires with double insulation, with no protective earth, between the mains circuit and the output voltage or metal casing. Even if the luminaires have electrically conductive surfaces, thanks to their insulation they are protected against contact with other live parts.
- ▶ Protection class I (non-SELV) applies for luminaires with basic insulation and protective earth. All the electrically conductive casing components are connected via a protective conductor system which is at earth potential.

##### Basisisolierung TALEXXmodule DLE GEN3

The TALEXX module DLE GEN3 features basic insulation against earth, i.e., a clearance/creepage distance greater or the same as 3 mm and can be directly assembled on an earthed metal part of the luminaire.

##### Luminaire with SELV level

When using the LED module DLE GEN3 in combination with a TALEXXconverter in protection class SELV, the SELV level for the luminaire is achieved.

Thanks to SELV voltage, the luminaire can be replaced by an expert without risk.

##### **i** NOTICE

Classification of the LED control gear in SELV and NON-SELV protection classes can be found in the LED control gear matrix.

##### Protection class II luminaires

When using a TALEXXconverter with NON-SELV level, the following measures are essential in order to achieve protection class II:

- ▶ Reinforced insulation between TALEXXmodule DLE GEN3 and the luminaire casing, e.g., by means of plastic casing or an additional insulating foil between the luminaire casing and the module.
- ▶ Reinforced insulation between the LED control gear and luminaire casing, e.g., by means of plastic casing
- ▶ Use of double-insulated lines



- ▶ Protect all electrical contacts against mechanical contact, this can typically be achieved with optics which cannot be removed

**Protection class I luminaires**

When using a TALEXXconverter with NON-SELV level, the following measures are essential in order to achieve protection class I:

- ▶ Use of metal casing for the luminaire
- ▶ Assembly of the TALEXXmodule DLE GEN3 directly on the casing
- ▶ Grounding of the LED control gear, TALEXXmodule DLE GEN3 and the luminaire itself
- ▶ Protect all electrical contacts against mechanical contact, this can typically be achieved with optics which cannot be removed

**⚠ DANGER!**

The following measures must be followed in order to avoid life-threatening situations:

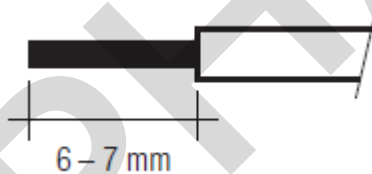
- ▶ Electrical work on a luminaire with protection class I or II (non-SELV) must only be carried out by an electrically skilled person.
- ▶ The luminaire must be disconnected from the mains before starting work on it.
- ▶ Check the luminaire for damage. If there are any signs of damage, the luminaire must be replaced.

**4.1.2. Connections on the LED control gear**

**Wiring type and cross section**

The wiring can be solid or stranded wires with a cross section of 0.2 to 0.75 mm<sup>2</sup>. For the push-wire connection you have to strip the insulation (6–7 mm). Loosen wire through twisting and pulling.

Wire preparation:



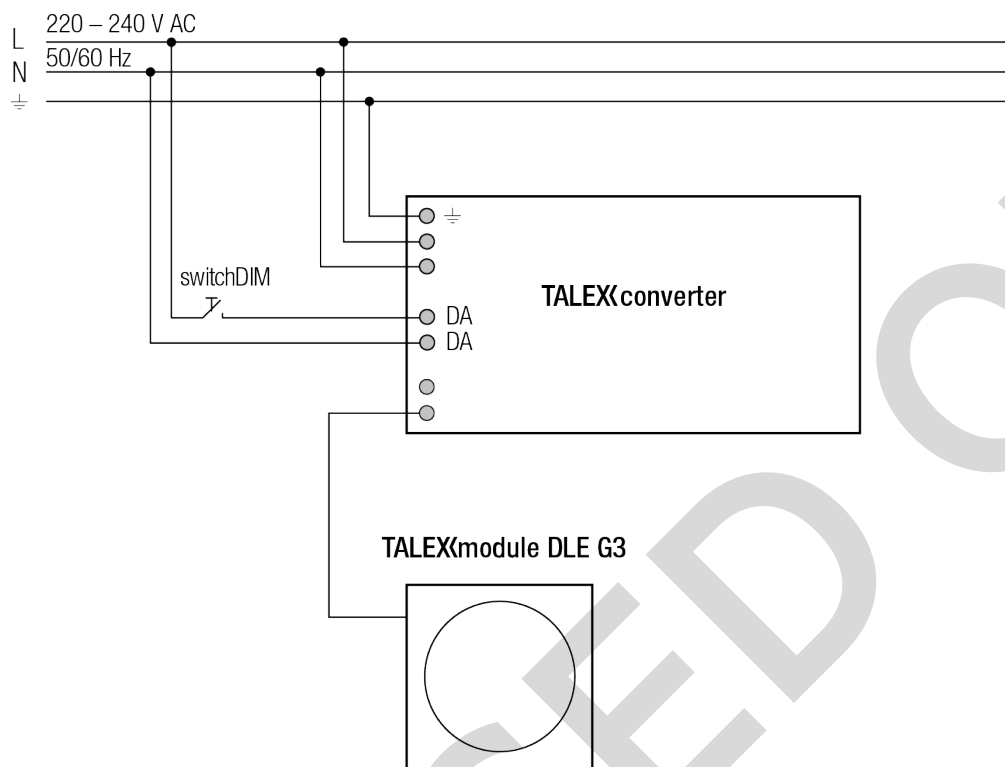
## Connections on the LED control gear for TALEXXmodule DLE GEN3

Pin	Connection on the TALEXXconverter	Design
$\perp$	Function earth	Screw terminal
~	Power input 230 – 240 V AC	Screw terminal
~	Power input 230 – 240 V AC	Screw terminal
DA <sup>(1)</sup>	Control input for DALI / switchDIM	Screw terminal
DA <sup>(1)</sup>	Control input for DALI / switchDIM	Screw terminal
+FAN	Feed for active cooling	Screw terminal
-FAN	Feed for active cooling	Screw terminal
+LED	TALEXXmodule DLE GEN3	Screw terminal
-LED	TALEXXmodule DLE GEN3	Screw terminal
NTC	Temperature monitoring	Screw terminal
NTC	Temperature monitoring	Screw terminal

<sup>(1)</sup> Only for LED control gear with dimming function

## 4.2. Wiring diagrams

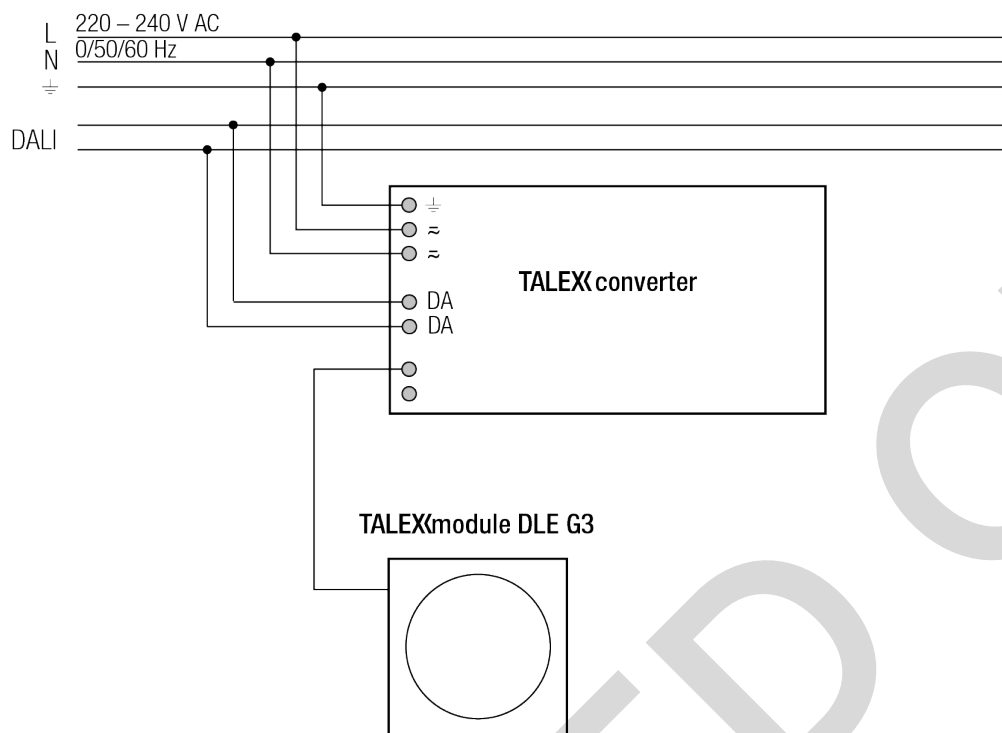
### 4.2.1. Wiring diagram for switchDIM for TALEXEngine DLE GEN3 module



The wiring diagram shows the connection between a LED control gear and a TALEXmodule DLE GEN3 and the connection between the LED control gear and the power supply.

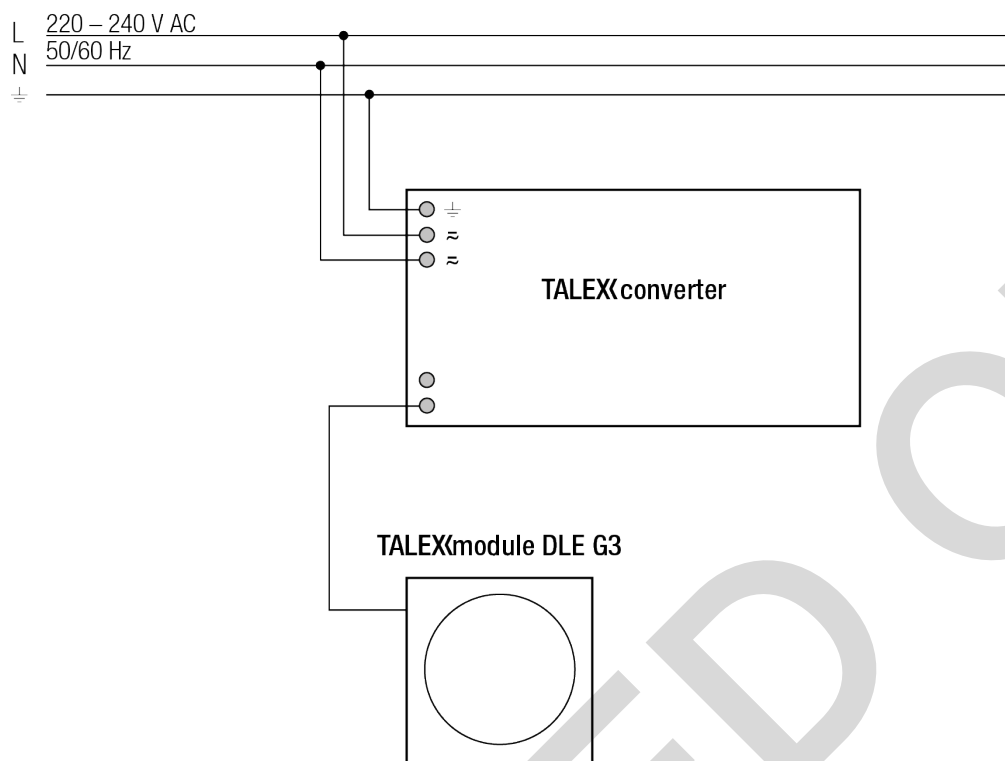
The integrated switchDIM function is operated via an appropriate momentary-action switch.

**4.2.2. Wiring diagram for DALI for TALEXEngine DLE GEN3 module**



The wiring diagram shows the connection between a LED control gear with dimming function and a TALEXmodule DLE GEN3 and the connection between the LED control gear and the power supply and the digital DALI signal.

### 4.2.3. Wiring diagram for ON/OFF via mains for TALEXEngine DLE GEN3 module



The wiring diagram shows the connection between a LED control gear without the dimming function and a TALEXmodule DLE GEN3 and the connection between the LED control gear and the power supply.

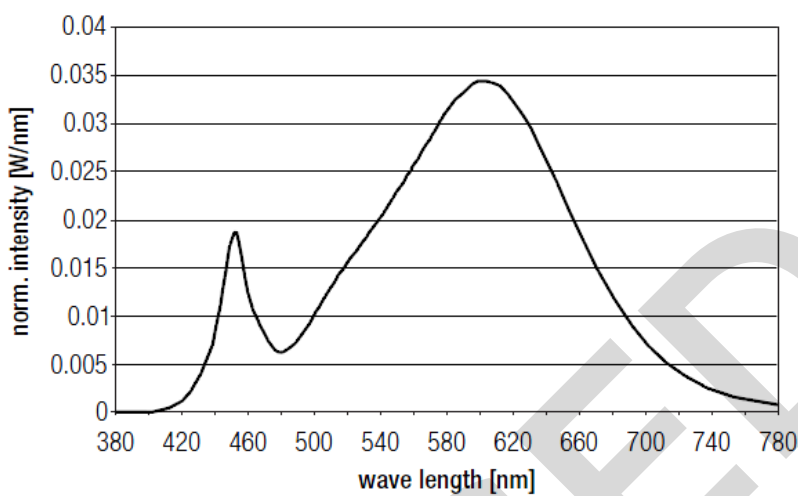
## 5. Optical aspects

### 5.1. Colour spectrum

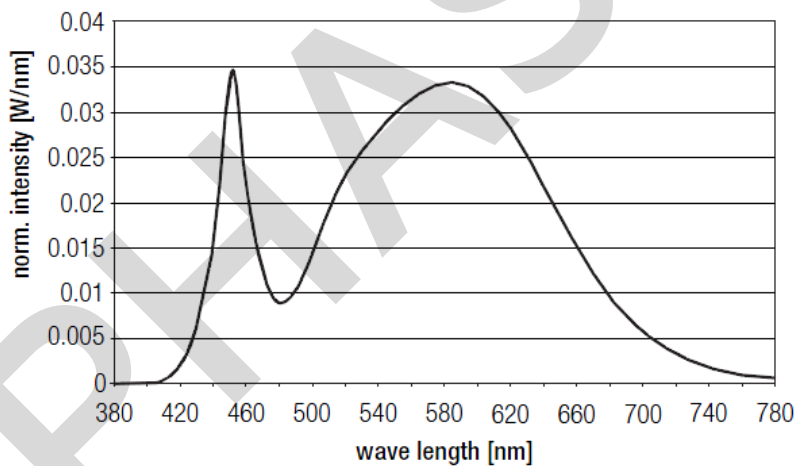
The technology used in the TALEXX products enables LEDs to be produced in special light colours or colour temperatures. This means that lighting systems can be created that are not only energy-efficient but also have excellent colour rendering.

The diagram shows the normalised intensity in percent over the wavelength in nm at different colour temperatures.

#### 3,000 K



#### 4,000 K



## 5.2. CRI, Ra and Ri - different colour rendering values




The CRI (colour rendering index) and Ra (arithmetic average) value are different names for the same thing. They are defined as the “effect of an illuminant on the colour appearance of objects by conscious or unconscious comparison with their colour appearance under a reference illuminant”.

CRI and Ra are determined by a test procedure. In this procedure eight colour samples (R1-R8) are illuminated both by the light in question and by a reference light source and the appearance of the samples under the different lights is compared.

If there is no perceivable difference the light in question will be rated with a maximum value of 100. Differences in appearance result in a deduction from the maximum value. The resulting number is the Ri value and describes the colour rendering for one specific colour sample. The average of all eight Ri values is the CRI or Ra value and describes the general colour rendering of the tested light source.

The eight colour samples consist of different pastel colours and can be found in the table below as TCS (test colour samples) 01-08.

There are six more colour samples: R9 to R14 or TCS09 to 14. They consist of different saturated colours and are not used for the calculation of the Ri, Ra and CRI value. However, these colours, especially R9, do have a special importance in the illumination of meat, fish, vegetables and fruit in retail areas.

Name	Appr. Munsell	Appearance under daylight	Swatch
TCS01	7,5 R 6/4	Light greyish red	
TCS02	5 Y 6/4	Dark greyish yellow	
TCS03	5 GY 6/8	Strong yellow green	
TCS04	2,5 G 6/6	Moderate yellowish green	
TCS05	10 BG 6/4	Light bluish green	
TCS06	5 PB 6/8	Light blue	
TCS07	2,5 P 6/8	Light violet	
TCS08	10 P 6/8	Light reddish purple	
TCS09	4,5 R 4/13	Strong red	
TCS10	5 Y 8/10	Strong yellow	
TCS11	4,5 G 5/8	Strong green	
TCS12	3 PB 3/11	Strong blue	
TCS13	5 YR 8/4	Light yellowish pink	
TCS14	5 GY 4/4	Moderate olive green (leaf)	

In the production of modules chips with different wavelengths and chip performances are used.

Because of this, different phosphor mixtures are needed to achieve the required target coordinates and single  $R_i$  values can differ between orders. This is not problematic. What is decisive for the overall impression of the LED module is its CRI value. But if specific single  $R_i$  values are required for an application, it must be made clear that these values may change for the reasons stated above. It is also not possible to specify tolerances.

Special LED modules are optimised to illuminate a particular product group (for example, MEAT+ is designed for the illumination of beef). In this case, specifying the CRI or single  $R_i$  values does not make sense. For special LED modules the subjective human perception is the most important factor. The colour coordinates for GOLD, GOLD+, Fresh Meat and MEAT+ are the result of appropriate tests. Single  $R_i$  values or the CRI value are not assessed.

### 5.3. Standard deviation

The human eye can not only recognize different colours along the black body curve, but also deviations above or below this line. If an LED has a colour temperature of 2,700 K, but is not directly located on the black body curve, it can be perceived as different from another LED with the same colour temperature. To prevent such differences and to assign an LED unambiguously, the chromaticity coordinate must be specified using the x, y coordinates in the colour space chromaticity diagram.

An even more accurate approach is to specify the standard deviation from the target colour, based on levels of MacAdam ellipses. The unit for this is called "SDCM" (abbreviation for "Standard Deviation of colour Matching"). When looking directly into a light source, these differences are perceived more strongly than in a "normal" situation where light is mainly perceived because of its reflections from illuminated surfaces.

Colour differences within one level of the MacAdam ellipses are not visible even when looking directly into the light source. Deviations of two to three levels ( $\leq 3$  SDCM) are considered barely perceptible. A value of 3 SDCM is good for LED light sources. For most applications a value of 5 SDCM is still sufficient.

### 5.4. Binning

Chips and packages from the same production can still show small variations in colour temperature and forward voltage. If the chips are used without pre-selection, these differences can be noticeable and interfere with the appearance.

Binning means that the chips and packages are classified according to their colour temperature and forward voltage. This leads to groups of chips or packages that fall into a very narrow window of tolerance. If LED modules are equipped with such chips and packages differences in appearance can be prevented.

### 5.5. Secondary Optics

The term Secondary Optics refers to additional optical elements that shape the light output in different forms. Secondary Optics include e.g. reflectors, lenses or covers.

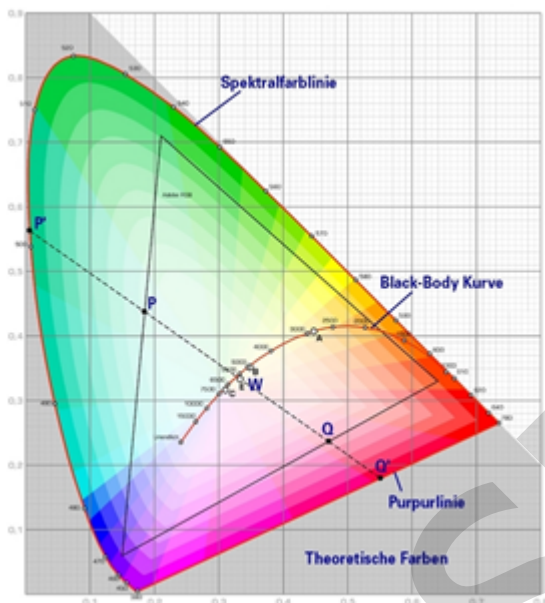


## 5.6. Coordinates and tolerances (according to CIE 1931)

As before, the production process for TALEXX LEDs does without binning. As a result, white LEDs can be produced with normal distribution in the range of a MacAdam-Ellipse 3. Thanks to the proximity to the Planckian curve there are no annoying colour discrepancies.

Every module is automatically tested at the final inspection stage to ensure that all the supplied products fall within the agreed specification.

### 5.6.1. Chromaticity coordinate



LEDs exhibit variations in terms of their exact shade of colour. This means that different “white” LEDs will all shine in a colour that is within the white colour spectrum. But the colours won't be exactly the same.

These colour differences between LEDs are problematic in areas where the lighting must produce a specified and uniform colour and deviations from that can impair the visual appearance of an installation. Using the chromaticity coordinate helps to avoid such problems by defining the exact shade of colour of an LED.

Technically speaking, the chromaticity coordinate is defined by its three coordinates (x, y, z) within the so called CIE 1931 colour space chromaticity diagram.

The CIE 1931 colour space chromaticity diagram represents all the colours that are discernible for humans. Since the three coordinates sum up to 1, two coordinates are sufficient to define a colour and so one coordinate is sometimes left out.

### 5.6.2. Colour temperature and Black Body Curve

The Black Body Curve within the colour space chromaticity diagram represents the colours that show when a so-called "black body" is slowly heated.

A "black body" is an "idealized" body which absorbs all light and has no reflected radiation. If a "black body radiator" is slowly heated, it passes through a colour scale from dark red, red, orange, yellow, white to light blue. The definition for the colour temperature of a light source is the temperature where the "black body radiator" shows the same colour.

The colour temperature is measured in Kelvin (K). The most common luminaires have colour temperatures below 3,300 Kelvin (warm white), between 3,300 and 5,300 Kelvin (neutral white) or above 5,300 Kelvin (daylight white).

### 5.7. Eye safety

The human eye can be damaged if it is directly exposed to a light source. Different light sources pose a hazard:

Risk group	Evaluation
Actinic UV $E_S$ (200 - 400 nm)	Risk group 0 <sup>(1)</sup>
Near UV $E_{UVA}$ (315 - 400 nm)	Risk group 0 <sup>(1)</sup>
Blue light $L_B$ (300 - 700 nm)	Risk group 0 <sup>(1)</sup>
Retina, thermal $L_R$ (380 - 1,400 nm)	Risk group 0 <sup>(1)</sup>
IR radiation, eye $E_{IR}$ (780 - 3,000 nm)	Risk group 0 <sup>(1)</sup>

<sup>(1)</sup> The evaluation of eye safety is based on EN 62471:2008 (photo-biological safety of lamps and lamp systems):

- ▶ Risk-free (risk group 0): The LEDs do not pose any photo-biological risk.
- ▶ Low risk (risk group 1): The LEDs pose a small risk because of normal limitations.
- ▶ Medium risk (risk group 2): The LEDs pose a small risk because of reactions to bright light sources or thermal discomfort.
- ▶ High risk (risk group 3): The LEDs pose a risk even with just momentary or temporary exposure.

The risk depends on the size of the light source and its intensity. The risk increases with smaller light sources and higher light intensity.

According to the classification of the LED into certain risk groups luminaire manufacturers must consider different requirements:

Necessary measures	RG 0	RG 1	RG 2	RG 3
Indication of risk group in the data sheet of the LED	x	x	x	x
Indication of risk group on the LED module itself	-	-	x	x
Stating at what distance the LED module falls back into risk group 1	-	-	x	x
Positioning of the luminaire so that direct exposure to the light can be prevented	-	-	x	x

Labeling the luminaire with the following symbol:



-	-	x	x
---	---	---	---

The risk group classification for the luminaire is the same as that of the installed LED module.

### 5.8. Reflector design

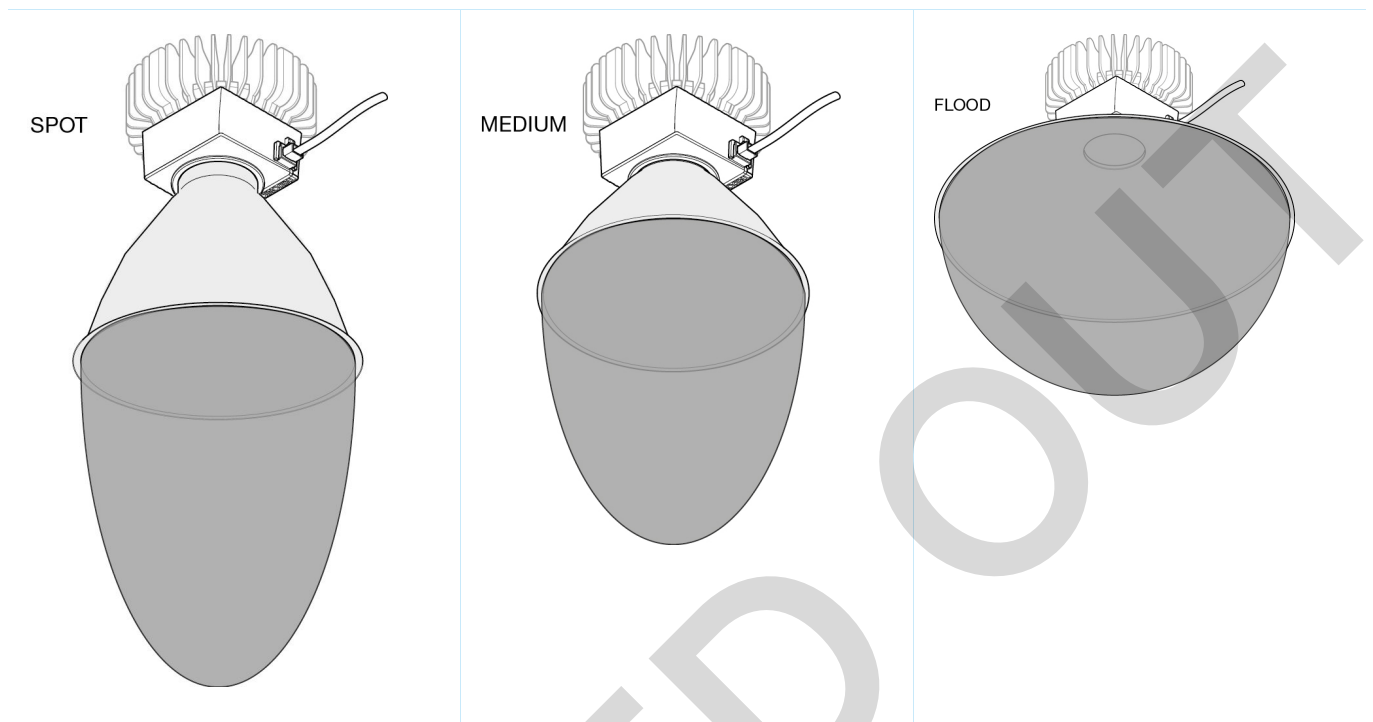
The mechanical and optical properties of the modules of the TALEXEngine STARK DLE GEN3 system offer the best conditions for using reflectors. The overall efficiency of the system can be optimised by choosing a reflector that directs the light appropriately.

The optical properties (e.g. beam angle) and the dimensions of the reflector play a crucial role.

The overall height of the luminaire can be reduced by selecting a low-profile reflector, depending on the beam angle required. This may improve the thermal output of the luminaire by increasing the height available for the heat sink.

To achieve uniform illumination a reflector with an integrated diffuser is recommended for LED modules with multicolour LEDs. This ensures that the colours are properly mixed. Some reflectors have the option of faceting for the reflector wall. Depending on the position of the homogenising element, different efficiencies and different colour mixing results can be achieved.

## Examples of reflectors with different beam angles

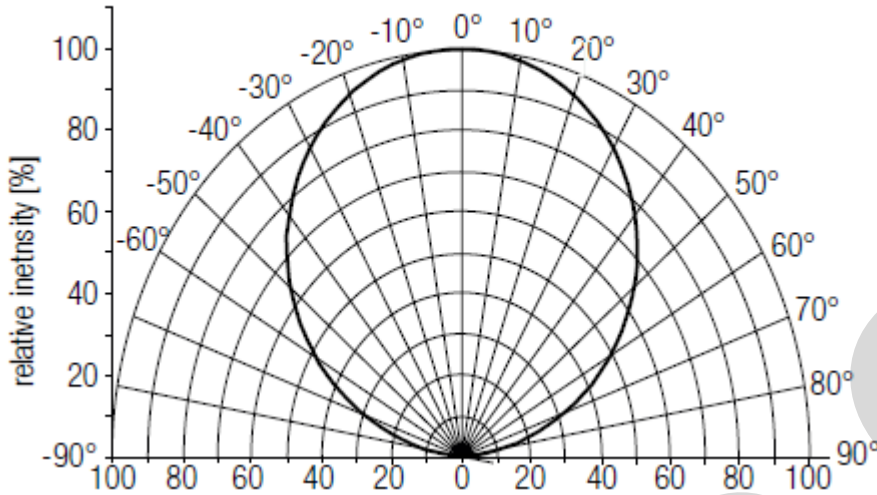
**i NOTICE**

To help create customised designs and to carry out optical simulations CAD data and Rayfiles are available for download from the Tridonic website.

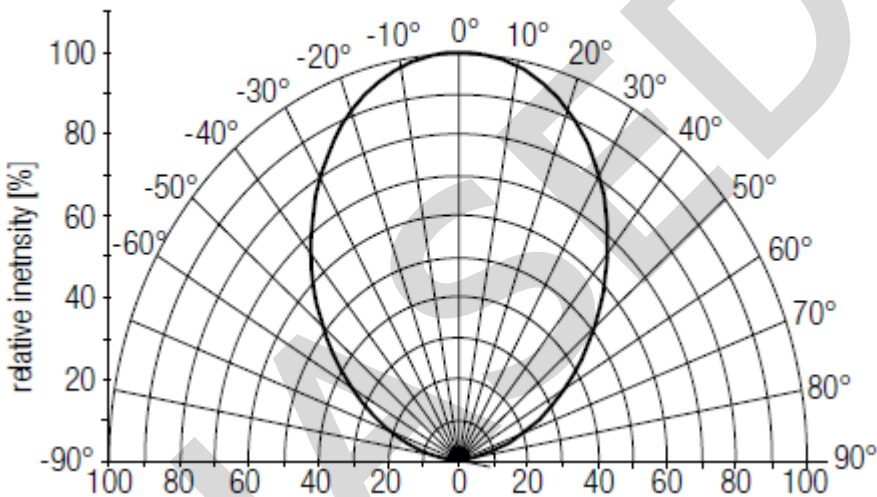
- ▶ Go to the [produkt page](#) on the Tridonic homepage
- ▶ Choose the desired product
- ▶ Click on CAD/RAY slide at bottom of the page

**5.8.1. Beam characteristics**

Light distribution without housing (only LED module)



Light distribution with housing



**5.8.2. Photometric code**

Key for photometric code, e. g. 830 / 449

1st digit	2nd + 3rd digit	4th digit	5th digit	6th digit
Code CRI	Colour temperature in Kelvin x 100	MacAdam initial	MacAdam after 25% of the life-time (max. 6000 h)	Luminous flux after 25% of the life-time (max. 6000 h)
7 67 – 76				Code Luminous flux
				7 ≥ 70 %

8 77 – 86				8 $\geq$ 80 %
9 87 – $\geq$ 90				9 $\geq$ 90 %

PHASED OUT

## 6. Thermal aspects

### 6.1. Decrease of luminous flux

#### 6.1.1. Lifetime, luminous flux and failure rate

The luminous flux of an LED module decreases over lifetime. The L value describes this behaviour.

L70 means that the LED-module delivers 70% of the initial luminous flux. This value is always linked to a certain operation time and defines the lifetime of the LED module.

The L value is a statistical value. The actual reduction of the luminous flux may vary within the supplied LED modules. For this reason, the B value specifies how many modules fall below the given L value, e.g. L70B10 means that 10% of the LED modules fall below 70% of the initial value (or 90% of the LED modules stay above 70% of the initial value).

Additionally, C value specifies the percentage of total failures.

The F value describes the linkage of B and C value and takes both total failures and degradation into account. L70F10 means that 10% of the LED modules have either shown total failure or fallen below 70% of the initial value.

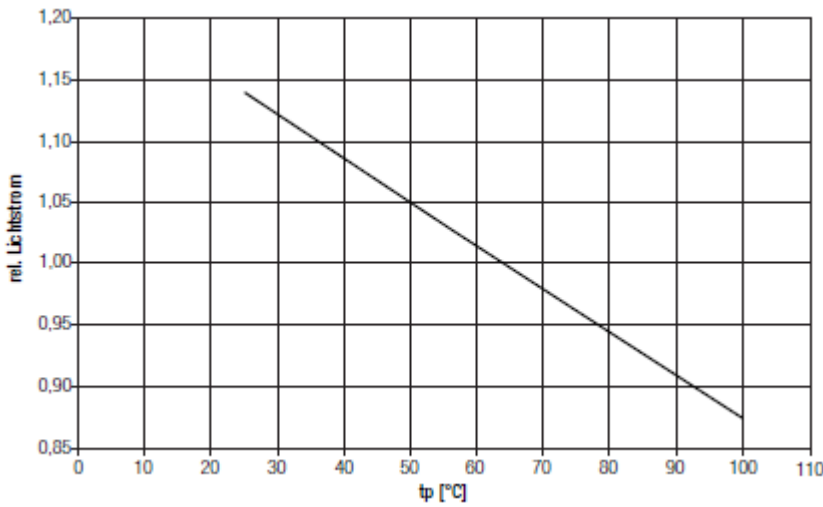
There are two reasons for the limitation of the lifetime data with 50,000 h:

1. The LED modules have been tested for 9,000 hours. According to LM80, it is possible to make a 6-fold extrapolation. The lifetime of the LED modules is by no means limited to 50,000 h. But due to the diversity and the rapid generational changes it is not possible to conduct tests over a period of several hundred hours. Before the tests had been completed, the tested chips were no longer available on the market. Due to the tested data, we can specify 50,000 h. The LED lifetime is certainly higher!
2. The switching cycles of the LED modules must be tested according to standard IEC 62717 / 10.3.3. If a lifetime of 50,000 h is communicated, the LED modules must have been tested for at least 25,000 switching cycles. Our LED modules meet the requirements of standard IEC 62717 / 10.3.3 and have been tested for 25,000 switching cycles.

#### 6.1.2. Effect of cooling on the life of the modules

The life of the module depends to a large extent on the operating temperature. The more that the operating temperature can be reduced by cooling, the longer the expected life of the module. If the permitted operating temperature is exceeded, however, the life of the module will be significantly reduced.

Figure: Lifetime characteristic

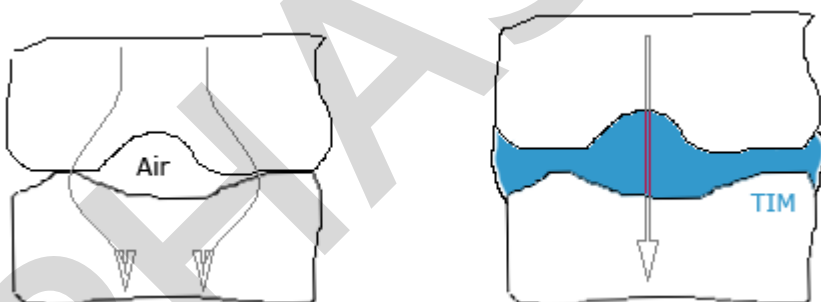


**NOTICE**

Please check the information on the operating temperature and the requirements for cooling in the module data sheets.

**6.1.3. Thermal Interface Material**

Figure: Heat transfer without TIM (left) and with TIM (right) (magnified illustration)



Thermal Interface Material (TIM) helps to reduce the thermal impedance between LED module and heat sink and thus improves the heat transfer between the two components.

When LED module and heat sink are joined together, uneven surfaces can be the cause for trapped air. Since air is a thermal insulator trapped air obstructs the heat transfer. TIM replaces the trapped air and improves the heat transfer.

In general:

- ▶ The lower the thermal impedance, the better the heat transfer and thus the cooling of the modules.



- ▶ The thickness of the TIM relates to the unevenness of the surfaces: the more uneven the surface is, the thicker the TIM must be.

#### 6.1.4. Rth

The lifetime of TALEXX products is highly dependent on the operating temperature. Exceeding the permissible temperature limits results in a significantly reduced lifetime or the destruction of the TALEXXmodule DLE GEN3. Therefore, it is necessary to mount the TALEXXmodule DLE GEN3 on an appropriate heat sink, which do not exceed the  $R_{th_{max}}$  value. The Rth values can be found in the data sheet of the respective products. The data sheets can be found on the Tridonic website at the following link: <http://www.tridonic.com/com/en/data-sheets.asp>

#### 6.1.5. tp point, ambient temperature and lifetime

The temperature at the tp point is crucial for the luminous flux and the lifetime of a TALEXX product.

The thermal limits can be checked at the tp/tc point and the tr point.

- ▶ tp is the temperature at which the rated values are obtained.
- ▶ tc is the threshold temperature which ensures the security of the module and must not be exceeded under normal conditions.
- ▶  $tr_{max}$  specifies the thermal connection of the heat sink and the luminaire for the interchangeability with other Zhaga products.

For the TALEXXmodule DLE GEN3 tp a temperature of 65 °C must be maintained in order to achieve an optimum between heat sink requirements, luminous flux and lifetime.

Adherence to the permitted tp temperature must be checked under operating conditions in a thermally stable state. For this the max. ambient temperature of the relevant application must be taken into account.

#### Explanatory note

The actual cooling may deviate due to the material, the design, external and situative influences. A thermal compound between TALEXXmodule DLE GEN3 and heatsink using thermal paste or thermally conductive adhesive foil is absolutely necessary.

Additionally, in order to optimize the thermal connection, the TALEXXmodule DLE GEN3 has to be mounted on the heat sink with M3 screws.

The calculation of the heat sink information is based on the use of thermally conductive paste with a thermal conductivity of  $\lambda > 1 \text{ W / mK}$  and a thickness of max. 50  $\mu\text{m}$  or a thermally conductive adhesive foil with  $b < 50 \mu\text{mmK/W}$ .

### 6.1.6. Requirements for the heat sink

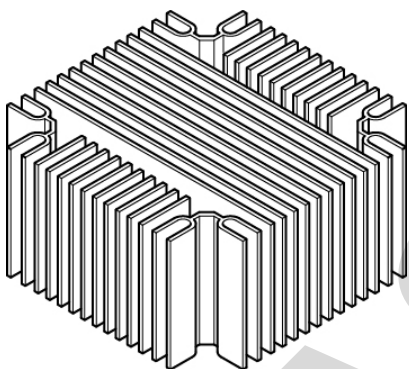
Although the operating temperature of the modules is continually monitored during operation and the power is automatically reduced in the event of excess temperature, the modules should not be operated without a heat sink. The heat sinks must be dimensioned to provide adequate cooling capacity. The  $R_{th}$  value is important for selecting an appropriate heat sink. This value depends on the light output of the module and on the ambient temperature in which the module is to be operated. The  $R_{th}$  value of the heat sink must be smaller than the required  $R_{th}$  value.

**i NOTICE**

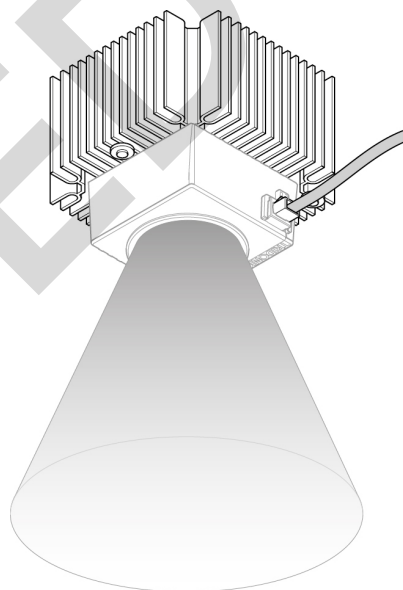
Please check the information on heat sinks in the module data sheets.

## 6.2. Passive and active cooling

### 6.2.1. Passive cooling



Passive cooling module



Example of passive cooling for the module

Heat transfer from a heat source to the surrounding cooling medium (e.g. air) depends primarily on the difference in temperature, the effective surface area and the flow rate of the cooling medium. The function of a heat sink is to increase the surface area over which the heat can be dissipated. This lowers the thermal resistance.

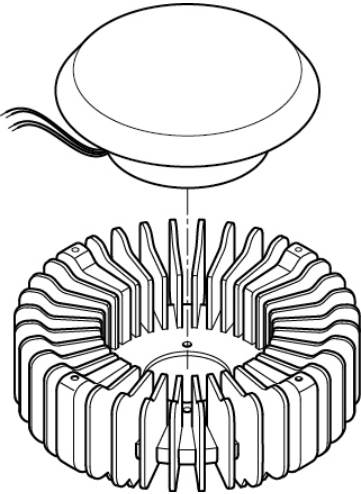
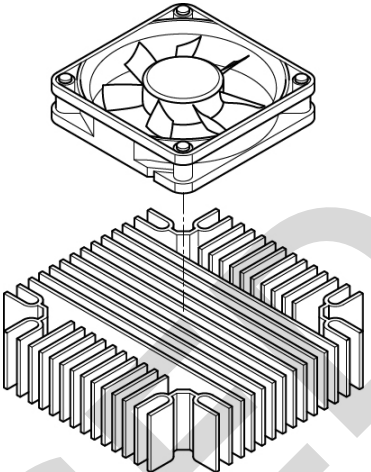
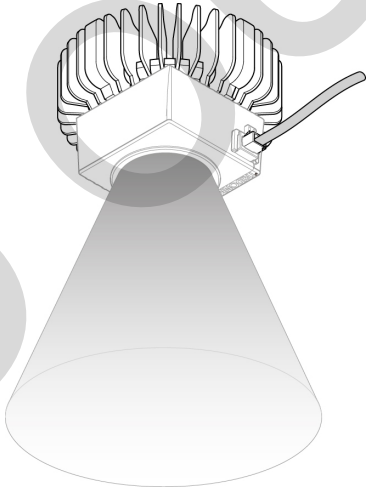
A passive heat sink works mainly by convection. The surrounding air is heated, which makes it rise, and is replaced by cooler air.

Heat pipes can be used as an alternative to cooling with fans. If space is particularly tight, the heat is first conveyed away. The actual heat sink is located at the other end of the heat pipe.

**Benefits of passive cooling**

- ▶ Energy savings
- ▶ Silent
- ▶ No mechanical wear
- ▶ No maintenance

**6.2.2. Active cooling**

		
<p>Round active cooling module</p>	<p>Square active cooling module</p>	<p>Example of active cooling for the module</p>

An active heat sink consists of the heat sink itself and an electrically powered fan. The fan dissipates heat from the heat sink by blowing a sufficient quantity of air along the surface of the heat sink. To reduce the power draw and noise, the fan speed can be controlled from the active cooling system on the basis of temperature.<sup>(1)</sup> A diaphragm can be used as an alternative to fans to produce active air movements.

Active heat sinks with fan cooling achieve around six times the performance of passive heat sinks for the same amount of material used. Active heat sinks can therefore be made very compact.

<sup>(1)</sup> The fan speed is not controlled from the TALEXEngine STARK system.

**Benefits of active cooling**

- ▶ Space savings
- ▶ Effective cooling
- ▶ Professional design

## 6.3. Fan connection and temperature measurement

### 6.3.1. Fan driver

Fan drivers drive active heat sinks in order to make sure that the LED modules are sufficiently cooled.

#### **i** NOTICE

The fan driver must be operated with suitable KTY sensors and wiring!  
For more information please consult the corresponding LED control gear data sheet.

### 6.3.2. KTY-Sensor

The Intelligent Temperature Management (ITM) function protects the LED light modules against short-term thermal overloads.

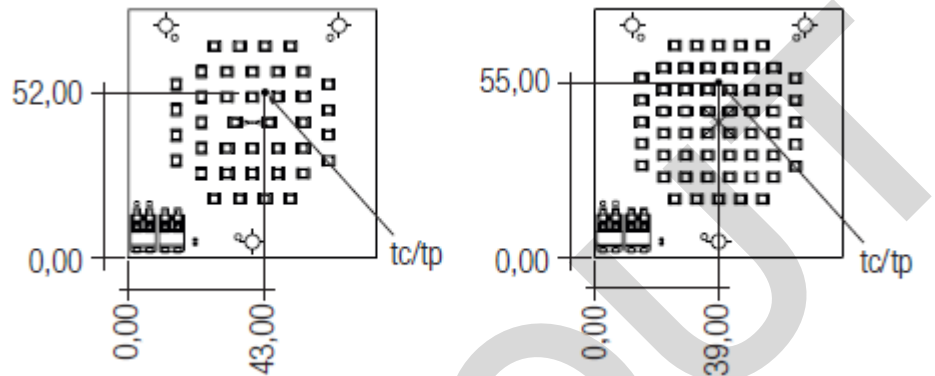
To monitor the temperature of the LED, a silicon-based temperature sensor (KTY81-210, KTY82-210) can be connected to the LED control gear.

If certain temperature thresholds are exceeded the LED output is gradually reduced or completely switched off. As a result of this, the dimm level and the temperature decreases. If the temperature falls below the the threshold temperature, the LED control gear automatically returns to nominal operation.

The use of an NTC or PTC resistor is not possible. The device can also be operated without sensor (default setting). The function can be adjusted via the masterCONFIGURATOR.

### 6.3.3. Temperature measurement on the module

The temperature of the module must be measured at the  $t_c/t_p$  point. As shown in the drawing of the TALEXXmodule DLE GEN3 beside the  $t_c/t_p$  point is marked on the module.



The temperature can be measured with a simple temperature probe. In actual practice, thermocouples (e.g. B & B Thermotechnik thermocouple, K-type) have been successfully used for taking measurements. Such thermocouples can be attached directly to the  $t_c/t_p$  point with heat-resistant adhesive tape or a suitable adhesive. The measured values are recorded by an electronic thermometer (e.g. "FLUKE 51", VOLT CRAFT K202 data logger).

The maximum possible temperature must be determined under worst-case conditions (ambient temperature of the luminaire, installation of the luminaire) for the relevant application. Before the measurement is taken the luminaire should be operated for at least 4 hours in a draught-free room.

### 6.3.4. $t_a$ , $t_p$ rated, $t_c$ max

- ▶  $t_a$  ... ambient temperature: The  $t_a$  temperature is the ambient temperature at which the LED module is operated.
- ▶  $t_p$  rated ... performance temperature: The  $t_p$  rated temperature is the temperature at which the photometric and electrical data are given. This is the temperature that the LED module has when it is in operation.
- ▶  $t_c$  max ... max. case temperature:  $T_c$  max temperature is the max. temperature that the LED module is allowed to have. The  $t_c$  max temperature is safety relevant. This is the max. temperature at which the LED module can be operated without compromising security.

### 6.3.5. Temperature management of the LED control gear

To protect the LED module from thermal damage, LED control gear with integrated temperature management automatically dim down if a certain temperature is exceeded.

The temperature at the  $t_c$  point on the LED control gear can be measured with a simple temperature probe. The  $t_c$  point on the LED control gear is indicated by a sticker on the casing.

**i NOTICE**

Measurement conditions, sensors and handling are described in detail in standard EN 60598-1 “General requirements and tests for luminaires”.

PHASED OUT

## 7. Ordering information and sources

### 7.1. Article numbers

**i NOTICE**

The TALEXXmodule DLE GEN3 series comprises different variants of modules:

- ▶ with housing
- ▶ without housing

Modules without housing have a certain affix in their name:

- ▶ Modules with housing have the affix "H" in their name
- ▶ Modules without housing have the affix "R" in their name

Abbreviations:

- ▶ H ... housing
- ▶ R ... raw

The following variants are available:

Module name	Housing
with affix "H", e.g. DLE G4 65mm 3000lm 830 H ADV	
with affix "R", e.g. DLE G3 65mm 3000lm 830 R ADV	

**7.1.1. TALEXXmodule DLE G3 ADVANCED**

Type	Article number	Colour temperature	Housing
DLE G3 65mm 2000lm 830 R ADV	89602107	3.000 K	no
DLE G3 65mm 2000lm 840 R ADV	89602108	4.000 K	no
DLE G3 65mm 3000lm 830 R ADV	89602109	3.000 K	no
DLE G3 65mm 3000lm 840 R ADV	89602110	4.000 K	no
DLE G3 65mm 2000lm 830 H ADV	89602111	3.000 K	yes
DLE G3 65mm 2000lm 840 H ADV	89602112	4.000 K	yes
DLE G3 65mm 3000lm 830 H ADV	89602113	3.000 K	yes
DLE G3 65mm 3000lm 840 H ADV	89602114	4.000 K	yes

**7.1.2. TALEXXmodule DLE G3 EXCITE**

Type	Article number	Colour temperature	Housing
DLE G3 65mm 2000lm 930 R ADV	89600574	3.000 K	no
DLE G3 65mm 2000lm 940 R ADV	89600575	4.000 K	no
DLE G3 65mm 3000lm 930 R ADV	89600576	3.000 K	no
DLE G3 65mm 3000lm 940 R ADV	89600577	4.000 K	no
DLE G3 65mm 2000lm 930 H ADV	89600578	3.000 K	yes
DLE G3 65mm 2000lm 940 H ADV	89600579	4.000 K	yes
DLE G3 65mm 3000lm 930 H ADV	89600580	3.000 K	yes
DLE G3 65mm 3000lm 940 H ADV	89600599	4.000 K	yes



### 7.1.3. Suitable controllers

Tridonic offers a comprehensive range of DALI-compatible products. All the devices specified here support DALI Device Type 6 and therefore guarantee effective use of TALEXEngine DLE GEN3.

Product name	Article number
DALI MSensor 02	28000896
DALI SC	24034263
DALI MC	86458507
DALI TOUCHPANEL 02	28000022
DALI x/e-touchPANEL 02	28000005
DALI PS	24033444
DALI USB	24138923

#### **i** NOTICE

Go to [www.tridonic.com](http://www.tridonic.com) to see the current range of products and the latest software updates.

## 7.2. Product application matrix

Whether you are looking for wide-area lighting or focused accent lighting, our wide range of TALEXX products will help you create an individual atmosphere and highlight specific areas exactly as you want. Our product portfolio includes individual light points, round, rectangular and strip versions. Specially matched operating equipment such as LED control gear, amplifiers and sequencers round off the components for a perfect system solution: They guarantee ideal operation and maximum efficiency.

### 7.2.1. Luminaire application TALEXXengine

TALEXXengine	Downlight	Spotlight	Linear / rectangular	Decorative	Surface	Outdoor (street)
TALEXXengine STARK DLE	✓					
TALEXXengine STARK SLE	✓	✓		✓	✓	

### 7.2.2. Luminaire application TALEXXmodule

TALEXXmodule	Downlight	Spotlight	Linear / rectangular	Decorative	Surface	Outdoor (street)
TALEXXmodule SPOT	✓	✓		✓	✓	
TALEXXmodule RECTANGULAR						✓
TALEXXmodule EOS	✓	✓	✓	✓	✓	✓
TALEXXmodule STRIP			✓	✓		

For more information and technical data on the entire TALEXX product portfolio go to [led.tridonic.com](http://led.tridonic.com) or see our TALEXX catalogue.

## 7.3. Partners

### 7.3.1. Heat sinks

Heat sinks with **active and passive cooling** to match the module can be obtained from the following manufacturers:

BRYTEC AG Brytec GmbH  
Vierthalerstrasse 5  
AT-5020 Salzburg  
T +43 662 87 66 93  
F +43 662 87 66 97  
[info@brytec.at](mailto:info@brytec.at)

Cooliance GmbH  
Im Ferning 54  
76275 Ettlingen  
Germany  
Tel: +49 7243 33 29 734  
Fax: +49 7243 33 29 735  
[info@cooliance.eu](mailto:info@cooliance.eu)

MechaTronix  
4 to 6F, No.308 Ba-De 1st Rd.,  
Sinsin district, Kaohsiung City 80050,  
Taiwan  
Tel: +886-7-2382185  
Fax: +886-7-2382187  
[sales@mechatronix-asia.com](mailto:sales@mechatronix-asia.com)  
[www.mechatronix-asia.com](http://www.mechatronix-asia.com)

Nuventix  
Vertrieb Österreich  
EBV Distributor  
Schonbrunner Straße 297-307  
1120 Wien  
T +43 1 89152-0  
F +43 1 89152-30  
[www.ebv.com](http://www.ebv.com)

SUNON European Headquarters  
Sales area manager  
Direct line: 0033 1 46 15 44 98  
Fax: 0033 1 46 15 45 10  
Mobile: 0033 6 24 07 50 49  
[andreas.rudel@sunoneurope.com](mailto:andreas.rudel@sunoneurope.com)

Heat sinks with **active cooling** can be obtained from the following manufacturers:

Francois JAEGLÉ  
NUVENTIX EMEA Sales and Support Director  
+33 624 73 4646  
PARIS  
[fjaegle@nuventix.com](mailto:fjaegle@nuventix.com)

Heat sinks with **passive cooling** can be obtained from the following manufacturers:

AVC  
Asia Vital Components Europa GmbH  
Willicher Damm 127  
D-41066 Mönchengladbach  
T +49 2161 5662792  
F +49 2161 5662799  
[sales@avc-europa.de](mailto:sales@avc-europa.de)

FrigoDynamics GmbH  
Bahnhofstr. 16  
D-85570 Markt-Schwaben  
Germany  
+49-8121-973730  
+49-8121-973731  
[www.frigodynamics.com](http://www.frigodynamics.com)

### 7.3.2. Heat-conducting foil and paste

Heat-conducting **foil** (e.g. Transtherm® T2022-4, or Transtherm® Phase Change) for thermal connection between the module and a heat sink is available from the following partner:

BALKHAUSEN Division of Brady GmbH  
Rudolf-Diesel-Straße 17  
28857 Syke  
Postfach 1253, 28846, Syke  
T +49 4242 692 0  
F +49 4242 692 30  
[angebot@balkhausen.de](mailto:angebot@balkhausen.de)

Kunze Folien GmbH  
Raiffeisenallee 12a  
D-82041 Oberhaching  
Tel: +49 89 66 66 82-0  
Fax: +49 89 66 66 82-10  
[info@heatmanagement.com](mailto:info@heatmanagement.com)

3M Electro&Communications Business  
4C, 3M House, 28 Great Jackson St  
Manchester, M15 4PA  
Office: +44 161 237 6182  
Fax: +44 161 237 1105  
[www.3m.co.uk/electronics](http://www.3m.co.uk/electronics)

Heat-conducting **paste** (e.g. Silicone Fluid Component) for thermal connection between the module and a heat sink is available from the following partner:

Shin-Etsu Chemical Co. Ltd.  
6-1, Ohtemachi 2-chome  
Chiyoda-ku  
Tokyo 100-0004  
Japan

### 7.3.3. LED housing

LED housing is available from the following partner:

A.A.G. STUCCHI s.r.l. u.s.  
Via IV Novembre, 30/32  
23854 Olginate LC  
Italy  
Tel: +39.0341.653.204  
Mob: +39.335.611.44.85  
[www.aagstucchi.it](http://www.aagstucchi.it)

### 7.3.4. Reflector solutions and reflector design

Reflector solutions and support for reflector design are available from the following partners:

ALMECO S.p.A.  
Via della Liberazione 15  
Tel: +39 02 988963.1  
Fax: +39 02 988963.99  
[info.it@almecogroup.com](mailto:info.it@almecogroup.com)

Alux-Luxar GmbH & Co. KG  
Schneiderstrasse 76  
40764 Langenfeld  
Germany  
T +49 2173 279 0  
[sales@alux-luxar.de](mailto:sales@alux-luxar.de)

Jordan Reflektoren GmbH & Co. KG  
Schwelmerstrasse 161-171  
42389 Wuppertal  
Germany  
T +49 202 60720  
[info@jordan-reflektoren.de](mailto:info@jordan-reflektoren.de)

KHATOD  
OPTOELECTRONIC  
Via Monfalcone, 41  
20092 Cinisello Balsamo (Milan)  
ITALY

Tel: +39 02 660.136.95  
Fax: +39 02 660.135.00  
Christian Todaro  
Mobile: +39 342 8593226  
Skype: todaro\_khatod  
c.todaro@khatod.com  
www.Khatod.com

LEDIL OY  
Tehdaskatu 13  
24100 Salo, Finland  
F +35 8 2 7338001

### 7.3.5. Tridonic sales organisation

The complete list of the global Tridonic sales organisation can be found on the Tridonic homepage at [address list](#).

### 7.3.6. Additional information

Go to [www.tridonic.com](http://www.tridonic.com) to find your personal contact at Tridonic.

Further information and ordering data:

- ▶ TALEXX catalogue at [www.tridonic.com](http://www.tridonic.com) menu [Services](#) > [Literature](#) > [Catalogue](#)
- ▶ Data sheets at [www.tridonic.com](http://www.tridonic.com) menu [Technical data](#) > [Data sheets](#)
- ▶ Certificates at [www.tridonic.com](http://www.tridonic.com) menu [Technical data](#) > [Certificates](#)